



Leaders in Reception Seating

Lesro Industries, Inc.
1 Griffin Road South
Bloomfield, CT
06002

P: 860.243.3226
F: 860.243.5392

www.lesro.com

Assembly Instructions For Luxe & Willow Personal Tables

Tools required: Allen wrench (Included in hardware pack) and Phillips screwdriver.

Note: These instructions are intended for various models and configurations. Your products may not look exactly as those shown in the diagrams.

Important: The assembly process requires that some hardware be kept loose until later in the sequence. Follow these instructions closely to ensure correct assembly.

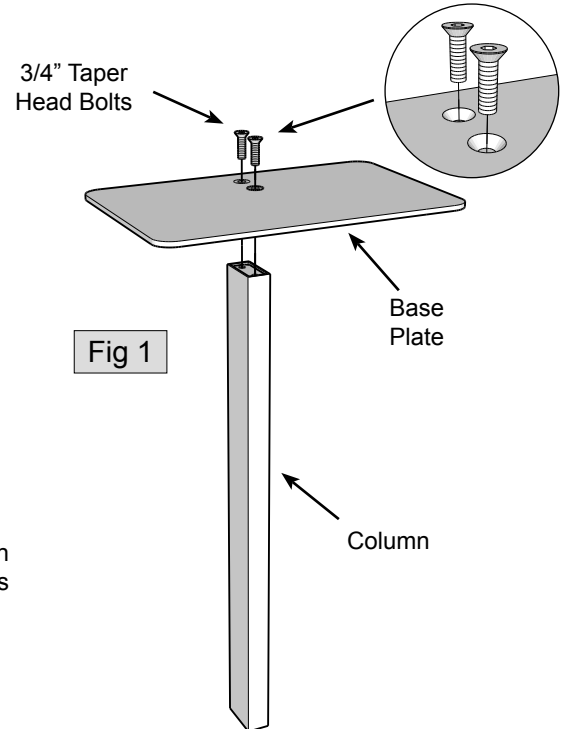
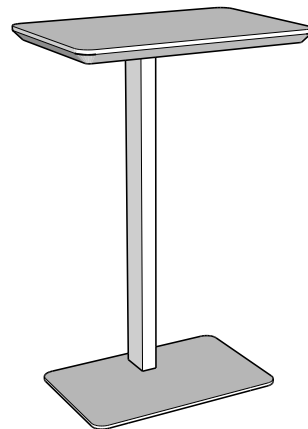
Recommendation: Retighten all bolts on a seasonal basis to ensure your product remains strong and stable for many years of use.

Parts List

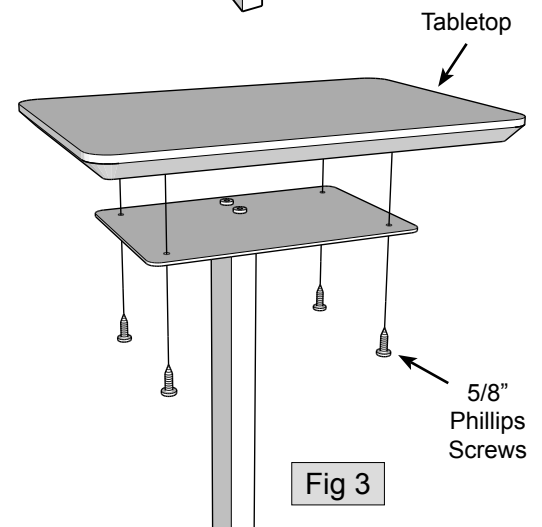
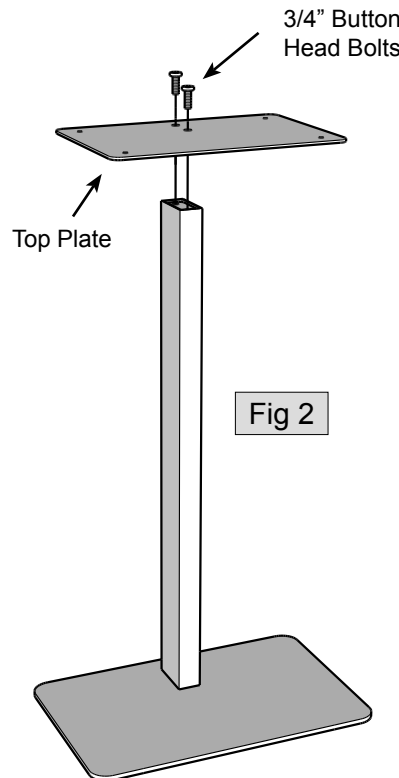
Tabletop
Top Plate
Base Plate
Column

Hardware Pack

3/4" Taper Head Bolts, 2 pcs.
3/4" Button Head Bolts, 2 pcs.
5/8" Phillips Screws, 4 pcs.
Allen Wrench



1. Unpack and identify all parts.
2. Attach base plate to either end of column using 3/4" Taper Head Allen bolts, as shown in figure 1. Tighten bolts very securely
3. Attach the top plate to the column using 3/4" Button Head Allen bolts, as shown in figure 2. Tighten these bolts very securely also.
4. Attach tabletop to top plate using 5/8" Phillips screws, as shown in figure 3. Tighten securely using care not to strip.
5. Your table is now assembled and ready to use.



Thank you for purchasing a Lesro product.
Need assistance with assembly? Call Lesro customer service 1.800.275.7545
Visit us online at www.lesro.com