



Leaders in Reception Seating

Lesro Industries, Inc.
1 Griffin Road South
Bloomfield, CT
06002

Phone
860.243.3226
Fax
860.243.5392
www.lesro.com

Assembly Instructions For Mystic Connecting Tables

Tools required: Allen wrench (included in hardware pack), Phillips screwdriver (for corner table only)

Note: These instructions are intended for various models and configurations. Your products may not look exactly as those shown in the diagrams.

Important: 2 people are recommended when moving table and chair assemblies from one place to another. Avoid putting excessive strain on connections or damage may occur.

Recommendation: Retighten all screws and bolts on a seasonal basis to ensure your product remains strong and stable for many years of use.

Weight Capacity: These tables are not intended for use as seats.

Center Table

Parts List

Tabletop

Hardware Pack

1 1/2" Allen Bolts, 4 pcs.
Allen Wrench

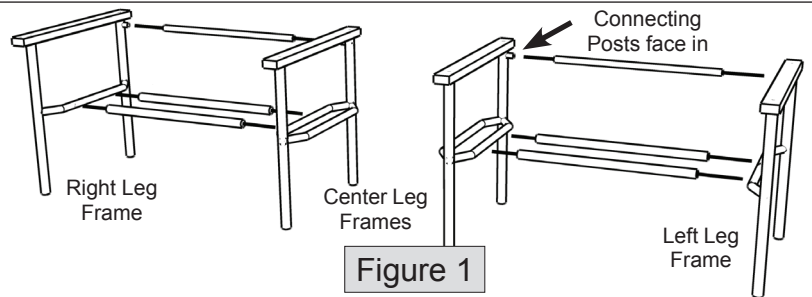


Figure 1

1. Assemble chairs individually before attaching tabletop. Be sure center legs and connecting posts are positioned as shown in figure 1. Complete all steps on chair instruction sheet.
2. Orient tabletop so sticker faces back and connect to center leg frames using 1 1/2" Allen bolts into threaded inserts as shown in figure 2. Tighten securely.
3. Your product is now assembled and ready to use.

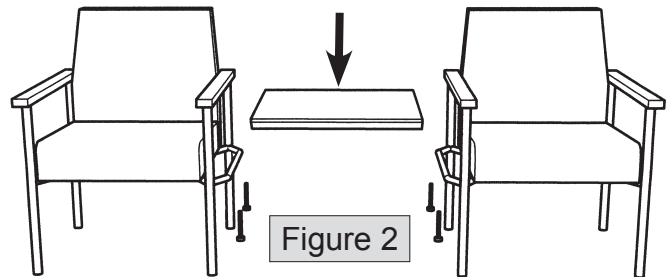


Figure 2

Corner Table

Parts List

Tabletop
Table Leg

Hardware Pack

Leg Plate
1" Allen Bolt
3/4" Wood Screws, 3 pcs.
1 1/2" Allen Bolts, 4 pcs.
Allen Wrench

Figure 3

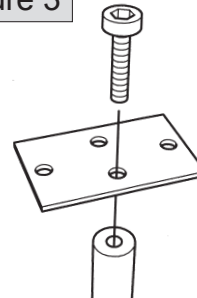
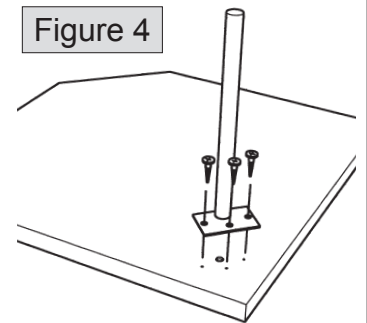


Figure 4



1. Assemble chairs individually before attaching tabletop. Be sure center legs and connecting posts are positioned as shown in figure 1. Complete all steps on chair instruction sheet.
2. Attach leg plate to table leg using 1" Allen bolt as shown in figure 3. Tighten securely.
3. Attach leg plate to tabletop using 3/4" wood screws into pre-marked holes as shown in figure 4. Tighten firmly but use care not to strip.
4. Connect tabletop to center leg frames using 1 1/2" Allen bolts into threaded inserts as shown in figure 5. Tighten securely.
5. Your product is now assembled and ready to use.

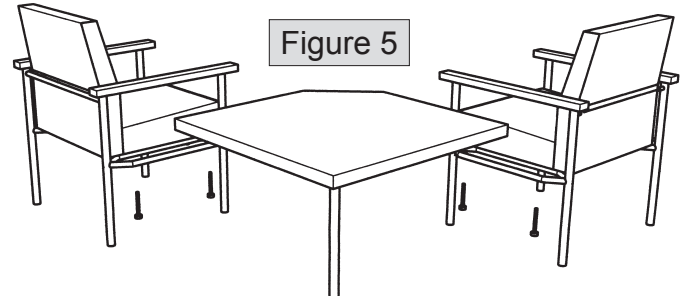


Figure 5

Thank you for purchasing a Lesro product.
Need assistance with assembly? Call Lesro customer service 1-800-275-7545.
Visit us on-line at www.lesro.com